



# MAXIGARD™



## PULSE TRANSDUCER TRANSMITTER

C5000: CLASS 1, EXP. PROOF ENCLOSURE

C5000B: NEMA 4, STEEL ENCLOSURE

C5000D: NEMA 4, THREADED TUBE

C5000NF: NEMA 3, PVC ENCLOSURE

*CONVERT ROTATIONAL OR LINEAR MOTION INTO DIGITAL PULSES*

A SOLID STATE INTERFACE FOR PLC'S DESIGNED FOR MOST INDUSTRIAL ENVIRONMENTS

### FUNCTION:

- Provides square wave pulses
- An interface for computers, counters and/or programmable controllers
- Low cost data transducer
- TTL and CMOS compatible

### FEATURES:

- Heavy duty construction
- Current sinking or sourcing output mode
- User adjustable pulse width
- Bi-directional
- Accurate pulse output

### ADVANTAGES:

- No mechanical connection to the monitored shaft
- Low cost complete sensing package, no extras to buy
- Easy and fast installation
- Choice of enclosures for all industrial environments
- LED pulse indicator
- Wide gap tolerance

### APPLICATIONS:

- Conveyor systems
- Packaging machines
- Machine tools
- Batching, blending
- PLC interface
- Position indication
- Counting/inventory control
- Digital motion control



### EACH SWITCH INCLUDES AS STANDARD:

Magnetic Disc ● Sensor ● Circuitry ● Enclosures ● Mounting Bracket

# MAXIGARD™

# C5000 SERIES

## SPECIFICATIONS:

### POWER REQUIREMENTS:

6/24 VDC @ 30 MILLI-AMPS,  
EXTERNAL POWER SUPPLY  
REQUIRED, POWER CONSUMPTION IS  
.45 WATTS

**SIGNAL OUTPUT:** OPTICALLY  
ISOLATED OUTPUT

**PULSE RATE:** 7500 PER SECOND MAX.

**AMPLITUDE:** 6/24 VDC, HALL EFFECT  
12 VDC STANDARD

**PULSE WIDTH:** .1 TO 100 MS

ADJUSTABLE POT, TTL AND CMOS  
COMPATIBLE, SOURCING OR  
SINKING. MAXIMUM OUTPUT: 20  
MILLI-AMPS AT RATED VOLTAGE

### FUNCTIONAL:

**SENSING DISTANCE:** 1000' FROM  
C5000 TO CONTROLLERS

**SENSING GAP:** 1/4" TO 3/4"

ALTRA-GAP™ SENSING CAPABILITY  
NOT IMPAIRED BY BUILD UP OF  
FOREIGN MATERIAL

**OPERATING TEMPERATURE:**

-40°F TO 185°F

### CONSTRUCTION:

**MAGNET DISC:** ANODIZED ALUMINUM,  
OR PVC, CERAMIC MAGNETS

**MAGNET WRAP:** (OPTIONAL)

MACHINED ALUMINUM, OR PVC,  
CERAMIC MAGNETS, WRAP IS BORED  
TO FIT SHAFT DIAMETER.

### ENCLOSURES:

UL AND CSA APPROVED

**C5000:** CLASS I, GROUP D, CLASS II, E,  
F, G (THIS IS NOT WATERPROOF)

**C5000B:** NEMA 4 STEEL ENCLOSURE

**C5000D:** EPOXY ENCAPSULATED

THREADED TUBE

**C5000NF:** NEMA 3, PVC ENCLOSURE

### OPTIONS:

- REMOTE POWER SUPPLY
- MAGNET WRAPS\*
- COUNTING SYSTEMS
- STAINLESS STEEL SENSOR

### RELATED BULLETINS:

- **C5000, C5000NF:**  
INSTALLATION AND OPERATING  
INSTRUCTIONS: C142
- **C5000B, C5000D:**  
INSTALLATION AND OPERATING  
INSTRUCTIONS: C209
- PRICING: A155
- FULL LINE CATALOG: A129

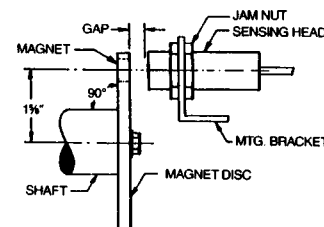
### ORDERING INFORMATION:

- NUMBER OF PULSES PER  
REVOLUTION
- PULSE RATE
- PULSE OFF TIME, ON TIME
- DISC OR WRAP
- EQUIPMENT INTERFACE

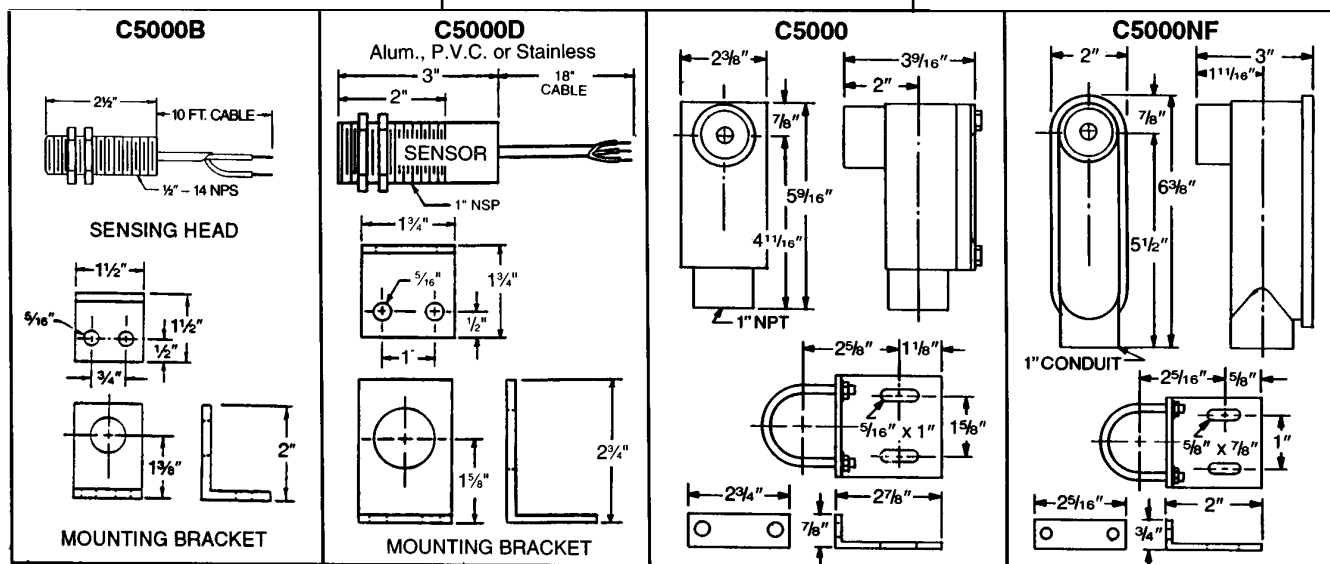
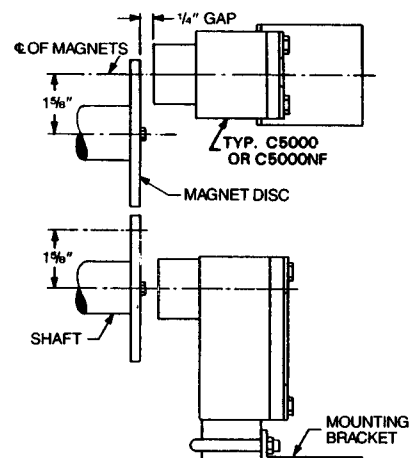
### NOTE:

\* CONSULT FACTORY FOR WRAPS THAT WILL BE  
TURNING FASTER THAN 3000 RPM.

### SENSING METHOD C5000B AND C5000D



### SENSING METHOD C5000 AND C5000NF



327 Lake Hazeltine Drive  
Chaska, MN 55318  
Toll Free: 800-328-0738 U.S. and Canada  
Fax: 952-368-4129  
<http://www.maxigard.com>  
E-Mail: [info@maxigard.com](mailto:info@maxigard.com)

**SOLD BY:**

