



PROCESS CONTROL SYSTEMS, INC.
327 LAKE HAZELTINE DRIVE, CHASKA, MN 55318

952-361-3026
(Fax) 952-368-4129
800-328-0738

MAXIGARD™



A5000 and A5000NF ZERO SPEED SWITCHES

Introduction

The MAXIGARD A5000 and A5000NF are fail safe zero speed switches designed to monitor the starting and stopping of critical rotating shafts. The switches are built of quality material and completely factory tested to insure long life and trouble free operation.

Principle of Operation

The A5000 Zero Speed Switch has a non contact sensor and is supplied with a magnetic target. The sensor signal is not impaired by the build up of dust or any other foreign material on the magnetic target or sensing head. This switch is designed to detect zero speed (speeds less than 1 RPM) of the monitored shaft.

The A5000 has one set of relay contacts. The relay is energized as soon as one magnet passes in front of the sensor and remains energized until the monitored shaft speed drops below 1 RPM for more than approximately 3.8 seconds. The relay re-energizes as soon as the monitored shaft starts to rotate. The switch is designed fail safe and in the event of a power failure, loss of signal, component failure etc. the relay will de-energize.

Components

THE A5000 MOTION SWITCH INCLUDES:

- 4" MAGNET DISC (OTHER OPTIONAL TARGETS AVAILABLE)
- SELF CONTAINED SWITCH HOUSING INCORPORATING SENSOR, ELECTRONICS AND RELAY
- MOUNTING BRACKET WITH MOUNTING SADDLE

CALL TOLL FREE  800-328-0738

www.maxigard.com
E-mail: techsupport@maxigard.com

SECTION 1 - MECHANICAL

1.0 Magnet Disc

- 1.1 The end of the shaft to be monitored should be square to prevent excessive disc wobble.
- 1.2 Center drill and tap the shaft end. (Suggested #21 drill and #10-32NF tap). Bolt the magnet disc to the end of the shaft. Use "Loc-tite" to keep the bolt and disc tight on the shaft.
(see figure 1A, page 3).

2.0 Magnet Wrap (optional)

- 2.1 Separate the two halves of the magnet wrap by loosening the cap screws holding the two halves together.
- 2.2 Place both halves of the magnet wrap around the shaft. Re-insert and tighten the cap screws making sure the wrap is square to the shaft.
(see figure 1B, page 3).

NOTE

There will be a slight gap between the two halves after tightening. This gap will not affect the generated signal.

3.0 Mounting the Speed Switch

- 3.1 Place the switch so the sensor is centered directly in front of the magnets in the disc or optional wrap.
(see figure 1A & 1B, page 3).
- 3.2 The gap setting between the sensor and magnet disc should be approximately 1/8" - 3/4".

SENSING METHOD

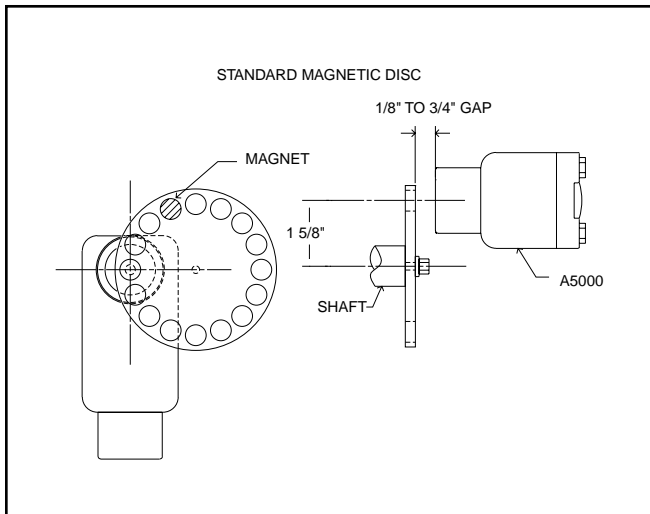


Figure 1A

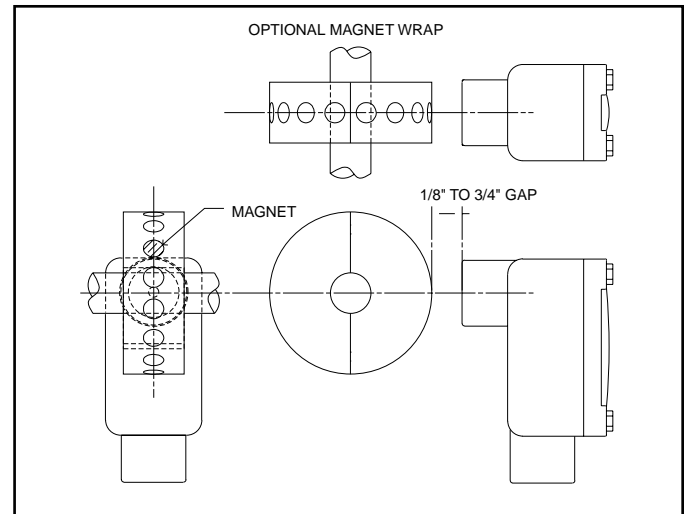


Figure 1B

DIMENSIONAL DATA

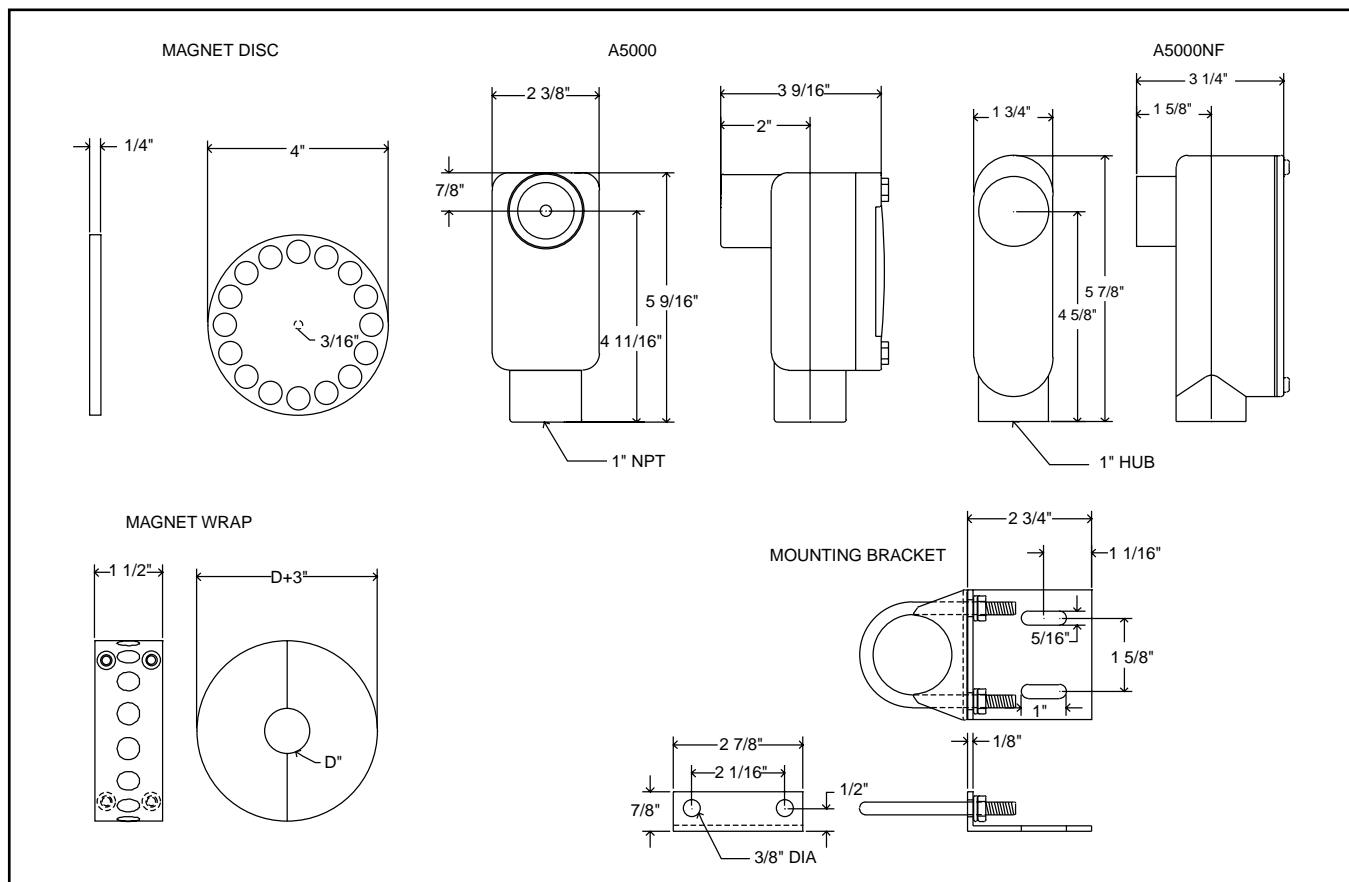


Figure 2

4.0 A5000 and A5000NF Zero Speed Switch Housings

4.1 The A5000 zero speed switch housing is UL/CSA listed and certified for Class I, Div. 1 & 2, Group C & D. Class II, Div. 1 & 2, Group E, F, & G. Class III, cast aluminum construction.

(see figure 2, page 3)

4.2 The A5000NF zero speed switch housing is rated for NEMA 3, water resistance, PVC construction.

(see figure 2, page 3)

SECTION 2 - FIELD WIRING

5.0 Wiring the A5000 or A5000NF Zero Speed Switch

5.1 Power connections and relay connections to the A5000 Zero Speed Switch are shown on figure 3, page 4. Also, figure 4 & 5, page 5 & 6 show typical wiring diagrams.

WARNING
 To avoid electrical shock disconnect all sources of power to the motor starter before wiring and observe voltage ratings of the zero speed switch.

5.2 Connect 120 VAC power to the RED wire and neutral to the WHITE wire. Connect the equipment safety ground to the GREEN wire on the A5000. (The A5000NF does not have a ground connection).

(see figure 3, page 4).

5.3 Make relay connections to YELLOW, BROWN and/or ORANGE wires.

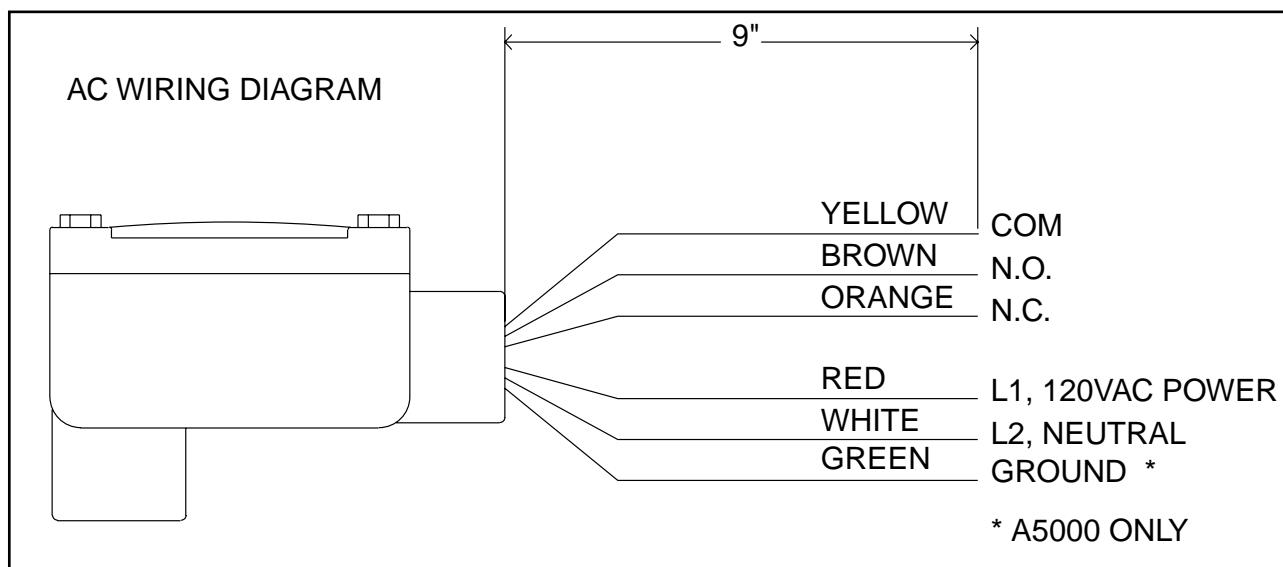


Figure 3

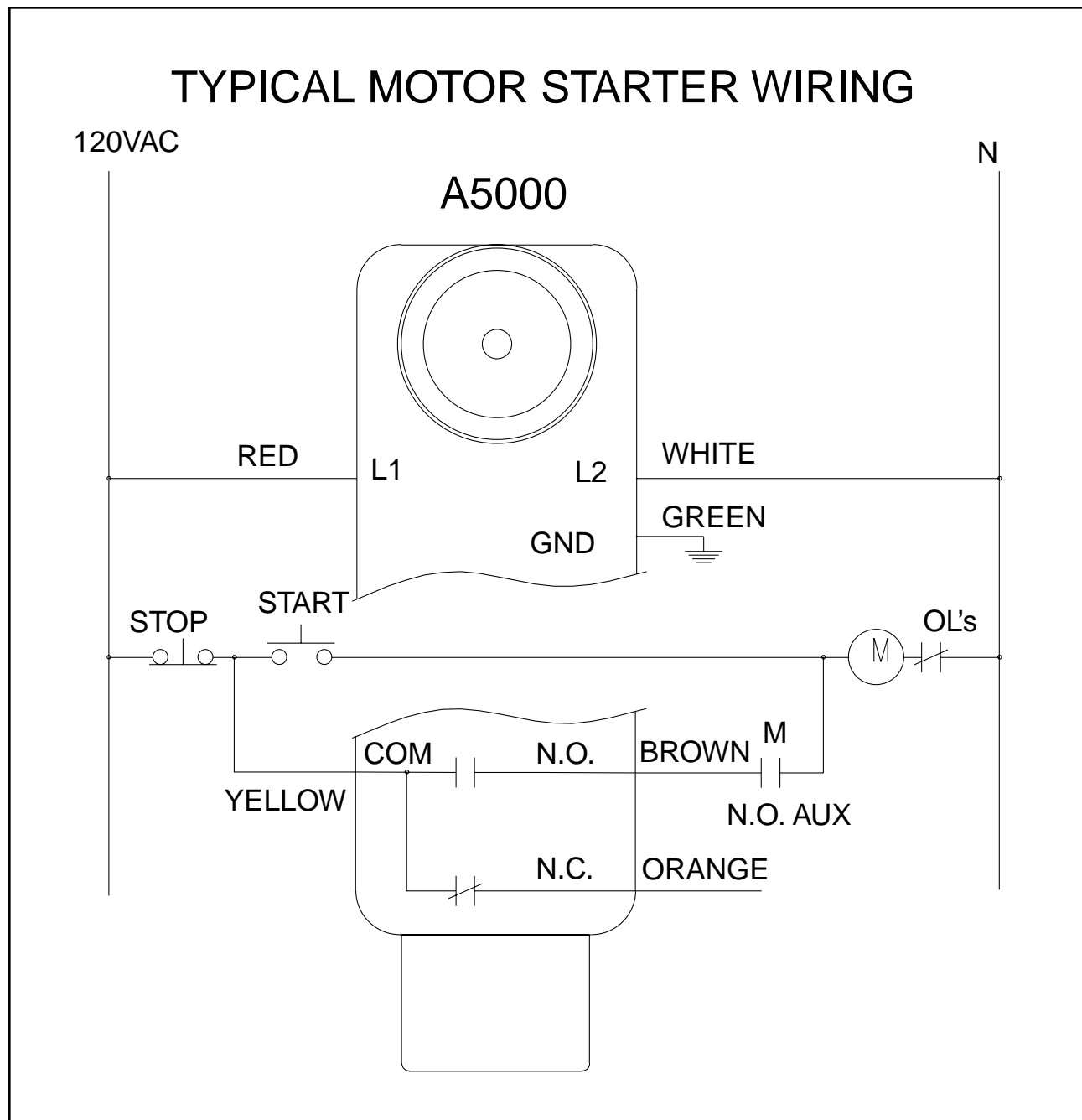


Figure 4

When 120 VAC power is applied to L1 and L2 the A5000 zero speed switch is powered on. When the start pushbutton is pressed the A5000 zero speed switch N.O. (normally open) contact closes and the N.C. (normally closed) contact opens as soon as one magnet passes in front of the sensor. This completes the circuit around the start pushbutton sealing the motor starter on. The N.O. contact remains closed and the N.C. contact remains open until the monitored shaft speed drops below 1 RPM for approximately 3.8 seconds at which time the relay de-energizes and the motor starter drops out.

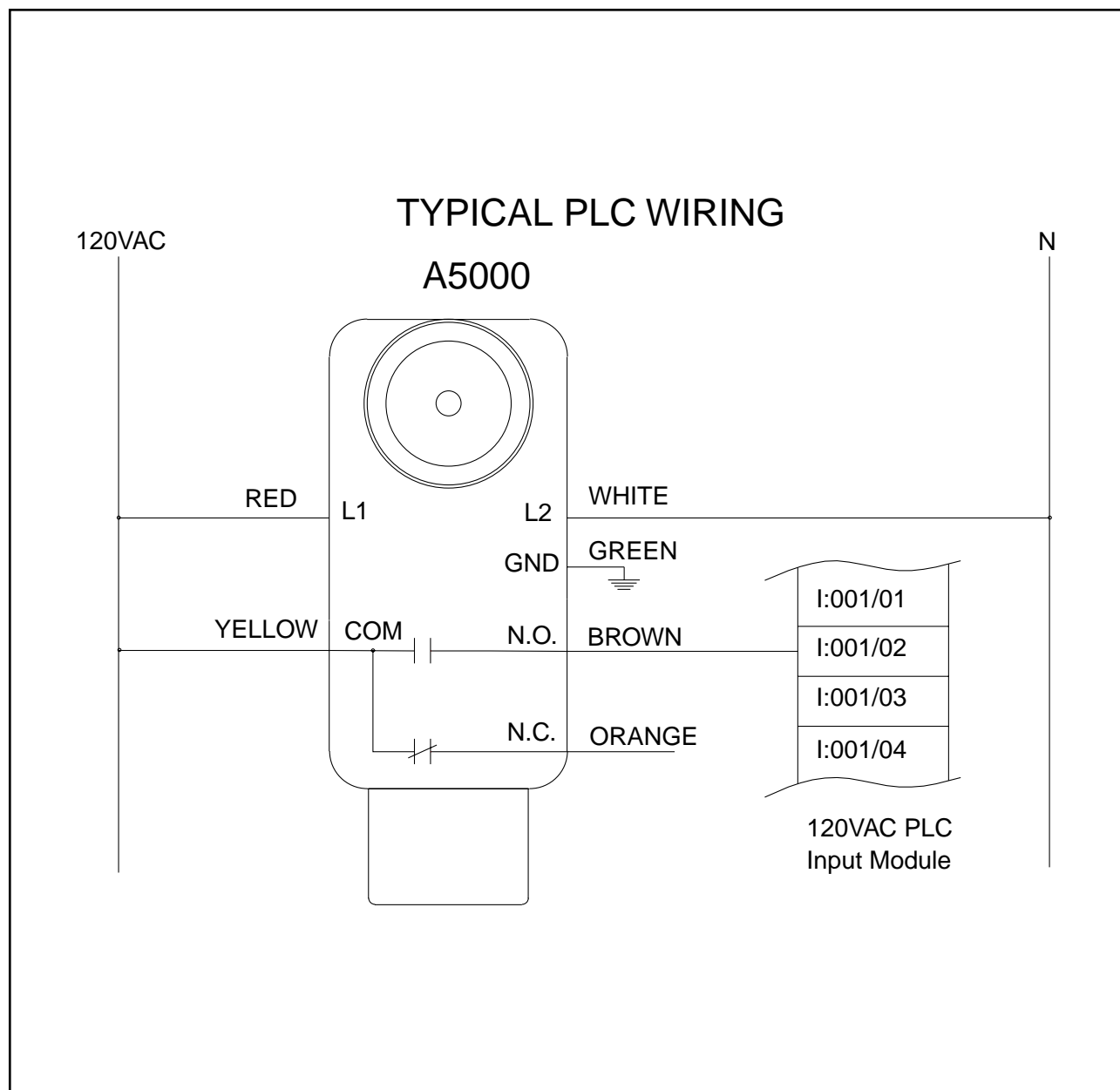


Figure 5

When 120 VAC power is applied to L1 and L2 the A5000 zero speed switch is powered on. The A5000 zero speed switch N.O. (normally open) contact closes and the N.C. (normally closed) contact opens as soon as one magnet passes in front of the sensor. The N.O. contact remains closed and the N.C. contact remains open until the monitored shaft speed drops below 1 RPM for approximately 3.8 seconds.

6.0 Testing

- 6.1 Confirm proper mounting and electrical connections as described in sections 3 and 5.
- 6.2 Remove the back cover of the switch housing and locate the RED and GREEN LED lights on the circuit board.

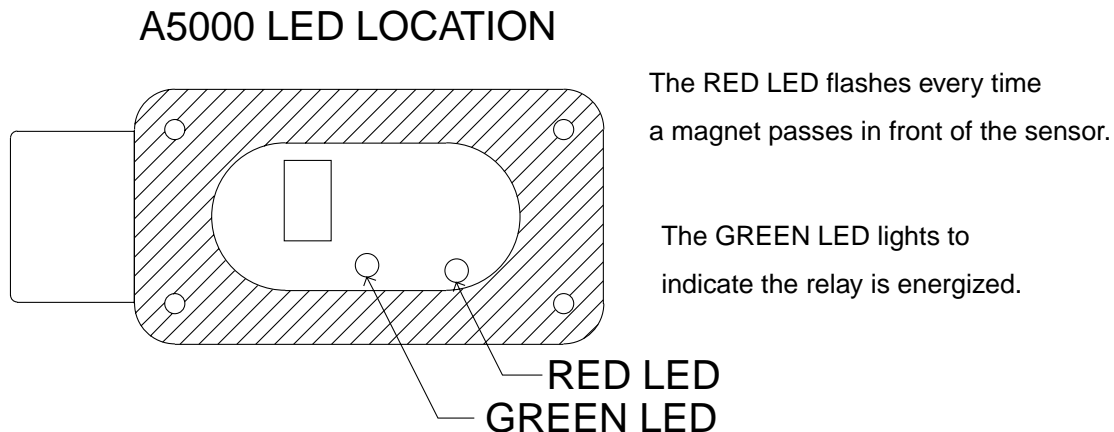


Figure 6

- 6.3 Start the monitored machine and run at normal speed with 120 VAC power connected to the switch.

WARNING

Proceed with caution when power is applied to the switch and the back cover is removed. Stay clear of any moving machinery.

- 6.4 The RED LED should be flashing or on steady. This indicates the speed switch sensor is properly aligned with the magnetic target.
- 6.5 The GREEN LED should be on indicating the monitored shaft is rotating. The switch relay is energized when the GREEN LED is on. The GREEN LED shuts off approximately 3.8 seconds after the monitored shaft stops turning.

NOTE

The RED LED will remain on if a magnet stops in front of the sensing area. This does not affect switch operation.

SPARE PARTS LIST

Part No.	Description
1213	A5000, less Bracket and Disc
1217	A5000/A5000NF, Mounting Bracket
1150	A5000NF, less Bracket and Disc
1136	Magnet Disc 4"
1378	Magnet Disc 8"

LIMITED WARRANTY

Process Control Systems, Inc. will repair or replace, at their option, F.O.B. factory, any part or unit which proves to be defective in material or workmanship within five years of purchase date, provided that part of the unit was installed and operated as recommended, to be established by examination of the part or unit at the factory. Goods returned under warranty must be shipped prepaid to the factory and accompanied by the serial number, description of defect, order number and date of purchase.

This warranty shall not apply to any Maxigard™ product which shall have been repaired or altered outside of the Process Control Systems factory or has been subject to misuse, negligence or accident.

Process Control Systems, Inc. warrants its products, but not their application, and shall not be liable for any incidental or consequential damages incurred through the use or loss of use of a Process Control Systems product. No representatives or other person is authorized or permitted to make any warranty or assume for this company any liability not strictly in accordance with this guarantee.

There is no further warranty either expressed or implied beyond that set forth herein.