



MAXIGARD™

ADJUSTABLE SELF CONTAINED SPEED SWITCH

Maxigard™ A1500, A1500NF, A1500GEC Single Set Point Speed Switch
 Maxigard™ A2500 Dual Set Point Speed Switch

FUNCTION:

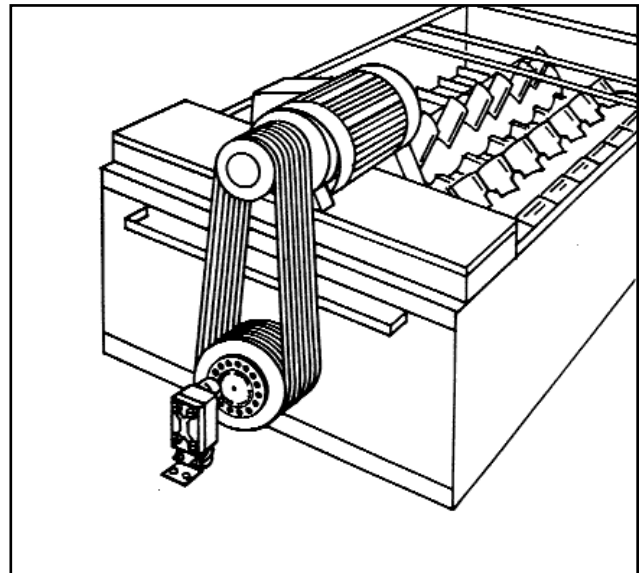
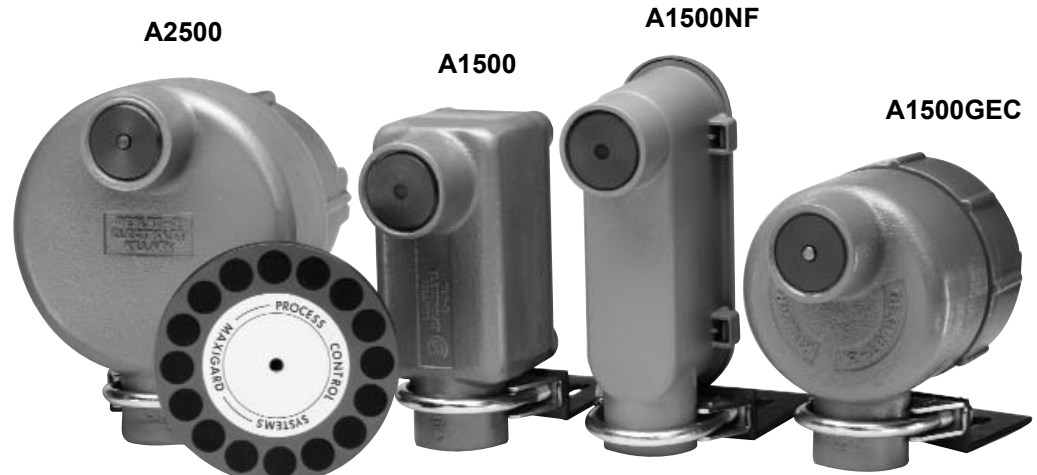
- Indicate broken/slipping conveyor belts
- Indicate broken/slipping drive belts
- Prevent belt over loading
- Signal PLC to prove rotation
- Provide rotation signal for interlocked material handling equipment

ADVANTAGES:

- Complete system
- LED indicating light for easy calibration
- Start delay feature (A1500GEC, A2500)
- Monitors speed ranges from 10 RPM to 4,000 RPM
- Designed for industrial applications
- Five Year Warranty

APPLICATIONS:

- Belt conveyors
- Crushers
- Pumps
- Screw Conveyors
- Blowers
- Fans
- Web Drives
- Rotary Airlocks
- Bucket Elevators



Typical Application: Grinding and blending of dried caked waste material for safe disposal requires 24 hour continuous operation of pug mill. The A1500 or A2500 monitors the driven shaft to indicate broken or slipping drive belts.

STANDARD SYSTEM INCLUDES:

Magnetic Disc ● Sensor ● Mounting Hardware ● Circuit with 5 AMP SPDT Relay(s) ● Switch Housing

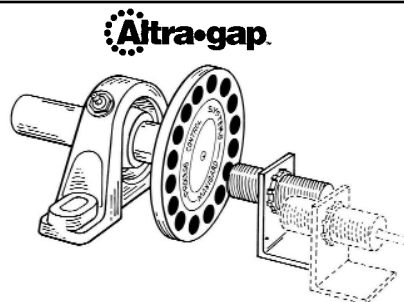
MAXIGARD™ 1500/A1500GEC/A1500NF/A2500

SPECIFICATIONS:	A1500	A1500GEC	A1500NF	A2500
Power Requirements	115 VAC, ± 10% 50/60 Hz	100-240 VAC, ± 10% 50/60 Hz	100-240 VAC, ± 10% 50/60 Hz	115 VAC, ± 10% 50/60 Hz
Power Consumption	2 Volt-Amps	2 Volt-Amps	2 Volt-Amps	5 Volt-Amps
Operating Temperature	-40°F To +140°F	-40°F To +140°F	-40°F To +140°F	-40°F To +140°F
Sensor To Target Tolerance	1/8" To 1"	1/8" To 1"	1/8" To 1"	1/8" To 1"
Sensor Construction	Anodized Aluminum Epoxy Encapsulated	Anodized Aluminum Epoxy Encapsulated	Anodized Aluminum Epoxy Encapsulated	Anodized Aluminum Epoxy Encapsulated
Sensor Cable	9" Pigtail/ 18 Gauge	9" Pigtail/ 18 Gauge	9" Pigtail/ 18 Gauge	Terminal Connection
Speed Range	10 RPM to 4,000 RPM	10 RPM to 4,000 RPM	10 RPM to 4,000 RPM	5 RPM to 10,000 RPM
Set Point Type	Single Adjustable	Single Adjustable	Single Adjustable	Dual Adjustable
Start Delay	Not Available	7.5 Sec. on Power up	Not Available	7.5 Sec. on Power up
Set Point Accuracy	± 2%-4% of Full Scale	± 2%-4% of Full Scale	± 2%-4% of Full Scale	± 2% of Full Scale
Magnetic Disc	4" Dia./Anodized Alum.	4" Dia./Anodized Alum.	4" Dia./Anodized Alum.	4" Dia./Anodized Alum.
Enclosure	UL/CSA Certified Cast Aluminum Class I Div 1&2, Gr C&D Class II Div 1&2, Gr E,F,G Class III	UL/CSA Certified Cast Aluminum Class I Div 1&2, Gr D Class II Div 1&2, Gr E,F,G Class III	UL/CSA Certified NEMA 3 PVC Housing	UL/CSA Certified Cast Aluminum Class I Div 1&2, Gr D Class II Div 1&2, Gr E,F,G Class III
Switch Output	One SPDT-5A Relay @ 115/230 VAC 30 VDC Resistive	One SPDT-5A Relay @ 115/230 VAC 30 VDC Resistive	One SPDT-5A Relay @ 115/230 VAC 30 VDC Resistive	Two SPDT-5A Relay @ 115/230 VAC 30 VDC Resistive

SPECIFICATIONS MAY CHANGE WITHOUT NOTIFICATION

Options:

Magnetic Collar
9-36VDC / 230 VAC
Digital Meter (A2500)
Analog Meter (A2500)
High Temperature
Warning Horn
Special Magnetic Target



1/8" to 1" air gap between disc & sensor

FEATURES:

- Will work in challenging applications
- Is not affected by material buildup or moisture
- Will work when out of alignment
- Up to 1" gap tolerance
- Will work in applications with vibration
- Designed for industrial applications



327 Lake Hazeltine Drive
Chaska, MN 55318
Toll Free: 800-328-0738 U.S. and Canada
Fax: 952-368-4129
<http://www.maxigard.com>
E-Mail: info@maxigard.com

Sold By: