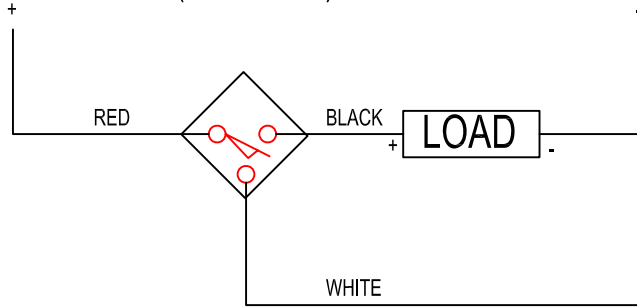
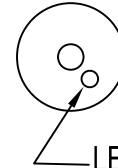


NORMALLY OPEN
PNP (SOURCING)



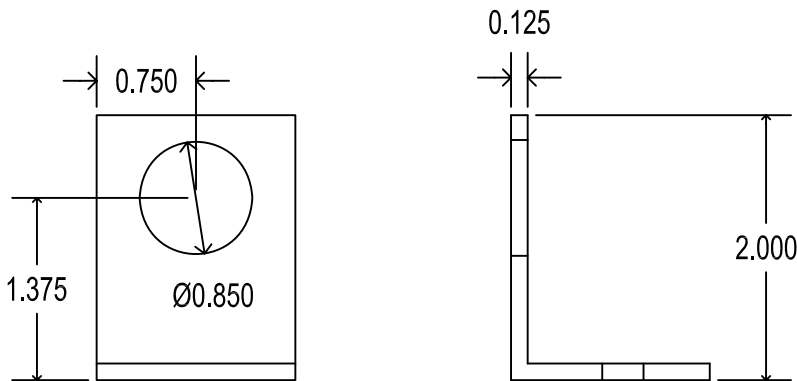
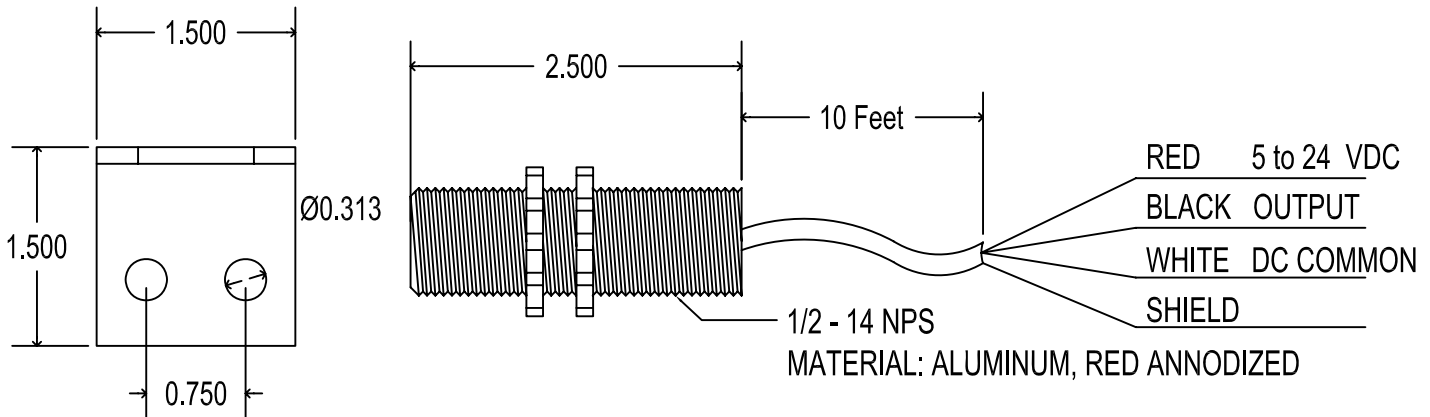
SENSOR BACK VIEW




LED - ON WHEN
TARGET PRESENT

LOAD CURRENT : < 100 MA
OPERATING VOLTAGE : 5 to 24 VDC
NOMINAL SENSING DISTANCE : .75 INCHES

Sensor gap tolerance is .125" to .75". Sensor gap setting should compensate for changes due to shaft thrusting, wobble, expansion or contraction, vibration, etc.



OPTIONAL MOUNTING BRACKET

					DRAWN BY DP		Process Control Systems 327 Lake Hazeltine Dr Chaska, MN 55318 Phone: 800-328-0738		
					CHECKED BY				
					ENGINEER				
					DATE 5/23/06				
					<small>This Drawing is the property of Process Control Systems, and shall not be duplicated, disclosed, in whole or in part, or used for any purpose other than that for which provided without the written consent of Process Control Systems.</small>			Title SENSOR	
								PNP (SOURCING) OUTPUT	
REV.	DATE	DESCRIPTION	BY	APPR'D	SCALE:	REV.	DWG. No. SA1848_E1	SHEET OF	