



# MAXIGARD™

## TEMPERATURE MONITORS

### Maxigard™ CT5000 Temperature Switch

#### SET POINT TEMPERATURE SWITCH

#### FEATURES:

- Set point adjust LED indicating light
- Terminal block connections
- 5 amp relay contacts
- AC or DC models
- Din rail mounting
- Five Year Warranty

#### APPLICATIONS:

- Bearing temperature monitoring
- Conveyor belt alignment
- Oven temperature control
- Process temperature monitoring

Individual Temperature Alarm Set Point Adjustment



#### **STANDARD SYSTEM INCLUDES:**

Bracket with Din Rail Mounting Feet ● Circuit with Power Supply ● 5 amp SPDT Relay ● LED Relay Mode Indicating Light ● Set Point Adjustment Dial

# MAXIGARD™

# CT5000 SERIES

## SPECIFICATIONS:

### POWER REQUIREMENTS:

120 VAC, 50/60 HZ

### POWER CONSUMPTION:

3 VOLT AMPS

### ENVIRONMENTAL:

#### AMBIENT HUMIDITY OPERATING RANGE:

45% - 85% RH

#### AMBIENT TEMPERATURE OPERATING RANGE:

0 - 50°C

32°F - 140°F

### FUNCTIONAL:

#### MONITORING TEMPERATURE RANGES:

TYPE T = 0 TO 750°F

#### TRIP POINT SETTING: CONTROL KNOB DIAL, FULL SCALE

ADJUSTMENT

#### RELAY: SPDT - 5 AMP - 120 VAC

#### TRIP POINT ACCURACY: ± 2% FULL SCALE

#### TRIP POINT REPEATABILITY: ± 1%

#### TRIP POINT DEAD BAND: ± 2% OF SET POINT

### CONSTRUCTION:

#### BRACKET: (MOUNTING FRAME) FORMED, 18 GAUGE

ALUMINUM, WITH DIN RAIL MOUNTING FEET

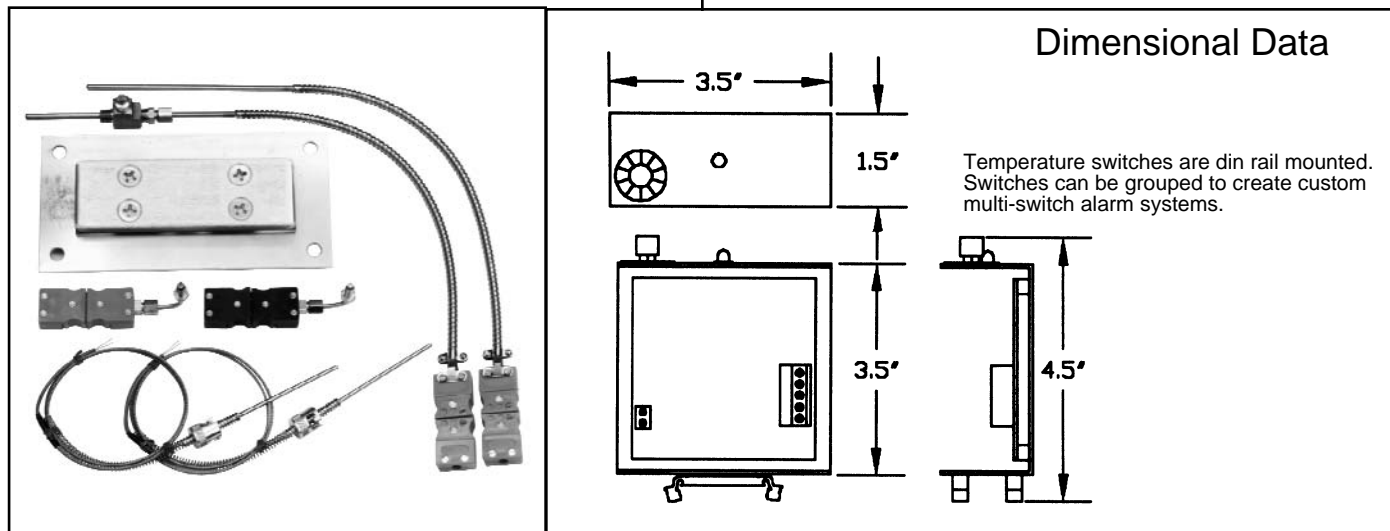
#### ELECTRICAL CONNECTIONS: THERMOCOUPLE, POWER, AND RELAY, ALL BY SCREW TYPE TERMINAL BLOCKS

### OPTIONS:

- THERMOCOUPLE ASSEMBLIES
- RUB BLOCK ASSEMBLIES
- CUSTOM ALARM SYSTEMS
- 12/24 VDC POWER SUPPLY

### RELATED BULLETINS:

- INSTALLATION AND OPERATING INSTRUCTIONS: CT225



327 Lake Hazeltine Drive  
Chaska, MN 55318  
Toll Free: 800-328-0738 U.S. and Canada  
Fax: 952-368-4129  
<http://www.maxigard.com>  
E-Mail: [sales@maxigard.com](mailto:sales@maxigard.com)

**SOLD BY:**