



# MAXIGARD™

## SIGNAL CONDITIONER / TRANSMITTER

### Maxigard™ C3000/C3000SC/CM3000 SIGNAL TRANSMITTER

#### FUNCTION:

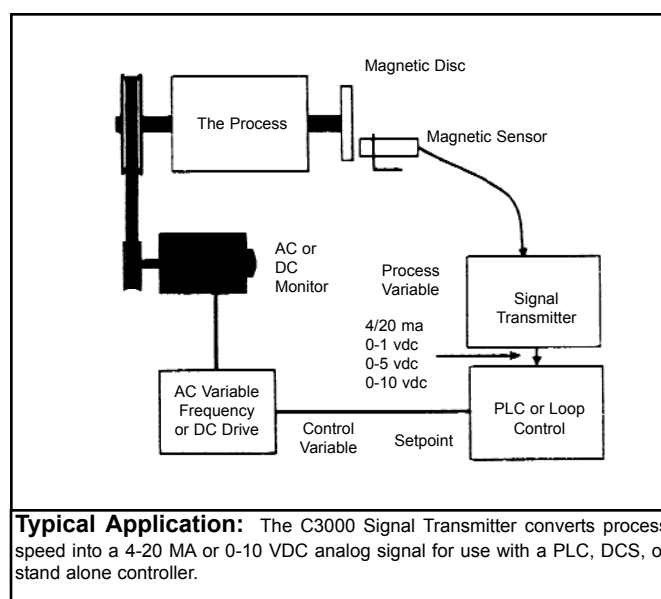
- Converts rotational speed into analog 4-20 MA or 0-10 VDC outputs
- Provides closed loop signal to variable speed drives
- Provides tach feedback signal to PLC, DCS or digital display meter

#### ADVANTAGES:

- Up to 1 inch gap tolerance between sensor and target
- Sensor is not affected by material buildup or moisture
- Sensor signal can be run up to 10,000 feet
- Operating range from 5 RPM to 10,000 RPM
- By monitoring the driven shaft, feedback signal indicates slip in the drive system
- Complete system includes sensor, target, circuit and enclosure
- Five Year Warranty

#### APPLICATIONS:

- Tach Feedback Loops
- PLC Interface
- DCS Interface
- Chart Recorder Interface
- Screw Conveyors
- Pumps
- Conveyors
- Rotary Airlocks
- Feed Rolls
- Pumps
- Industrial Fans/ Blowers



#### **STANDARD SYSTEM INCLUDES:**

Magnetic Disc ● Sensor ● 10' of 2 Wire Cable ● Mounting Bracket ● Circuit with Power Supply ● Enclosure or Housing (CM3000 does not include enclosure)

# MAXIGARD™ C3000 Series

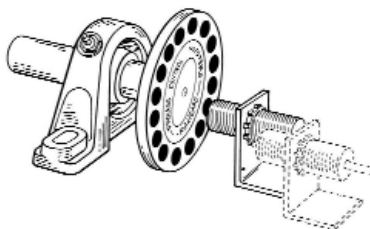
SPECIFICATIONS:	C3000	C3000C	CM3000	C3000SC-1
<b>Power Requirements</b>	115 VAC, ± 10% 50/60 Hz	115 VAC, ± 10% 50/60 Hz	115 VAC, ± 10% 50/60 Hz	115 VAC, ± 10% 50/60 Hz
<b>Power Consumption</b>	10 Volt-Amps	10 Volt-Amps	12 Volt-Amps	12 Volt-Amps
<b>Operating Temperature</b>	-40°F To +140°F	-40°F To +140°F	-40°F To +140°F	-40°F To +140°F
<b>Sensor To Target Tolerance</b>	1/8" To 1"	1/8" To 1"	1/8" To 1"	1/8" To 1"
<b>Sensor Output</b>	≤ 5.1 VAC	≤ 5.1 VAC	≤ 5.1 VAC	Not Applicable
<b>Sensor Construction</b>	Anodized Aluminum Epoxy Encapsulated	PVC Epoxy Encapsulated	Anodized Aluminum Epoxy Encapsulated	Anodized Aluminum Epoxy Encapsulated
<b>Sensor Cable</b>	22 Gauge / 2 Wire Shielded Belden 8761 or equal	22 Gauge / 2 Wire Shielded Belden 8761 or equal	22 Gauge / 2 Wire Shielded Belden 8761 or equal	9" Pigtail/18 Gauge
<b>Speed Range</b>	5 RPM to 10,000 RPM	5 RPM to 10,000 RPM	5 RPM to 10,000 RPM	5 RPM to 10,000 RPM
<b>Transmitter Output</b>	4-20 MA or 0-10 VDC	4-20 MA or 0-10 VDC	4-20 MA or 0-10 VDC	4-20 MA or 0-10 VDC
<b>Accuracy</b>	± 2% of Full Scale	± 2% of Full Scale	± 2% of Full Scale	± 2% of Full Scale
<b>Magnetic Disc</b>	4" Dia./Anodized Alum.	4" Dia./PVC	4" Dia./Anodized Alum.	4" Dia./Anodized Alum
<b>Enclosure</b>	UL Listed NEMA 4 8" x 6" x 3.5"	UL Listed NEMA 4X Fiberglass 10.5" x 6.5" x 5.88"	DIN Rail/ Panel Mount	UL Listed / CSA Certified Cast Aluminum Class I Div 1&2, Gr D Class II Div 1&2, Gr E,F,G Class III

SPECIFICATIONS MAY CHANGE WITHOUT NOTIFICATION

## Options:

Explosion Proof Sensor  
Explosion Proof Enclosure  
Digital Meter  
Analog Meter  
Magnetic Collar  
Warning Horn  
Special Magnet Target  
9-36 VDC / 230 VAC  
High Temperature

**Altra-gap.**



1/8" to 1" air gap between disc & sensor

## FEATURES:

- Will work in challenging applications
- Is not affected by material buildup or moisture
- Will work when out of alignment
- Up to 1" gap tolerance
- Sensor can be remote mounted up to 10,000 ft.
- Will work in applications with vibration
- Designed for industrial applications



327 Lake Hazeltine Drive  
Chaska, MN 55318  
Toll Free: 800-328-0738 U.S. and Canada  
Fax: 952-368-4129  
<http://www.maxigard.com>  
E-Mail: [info@maxigard.com](mailto:info@maxigard.com)

Sold By: